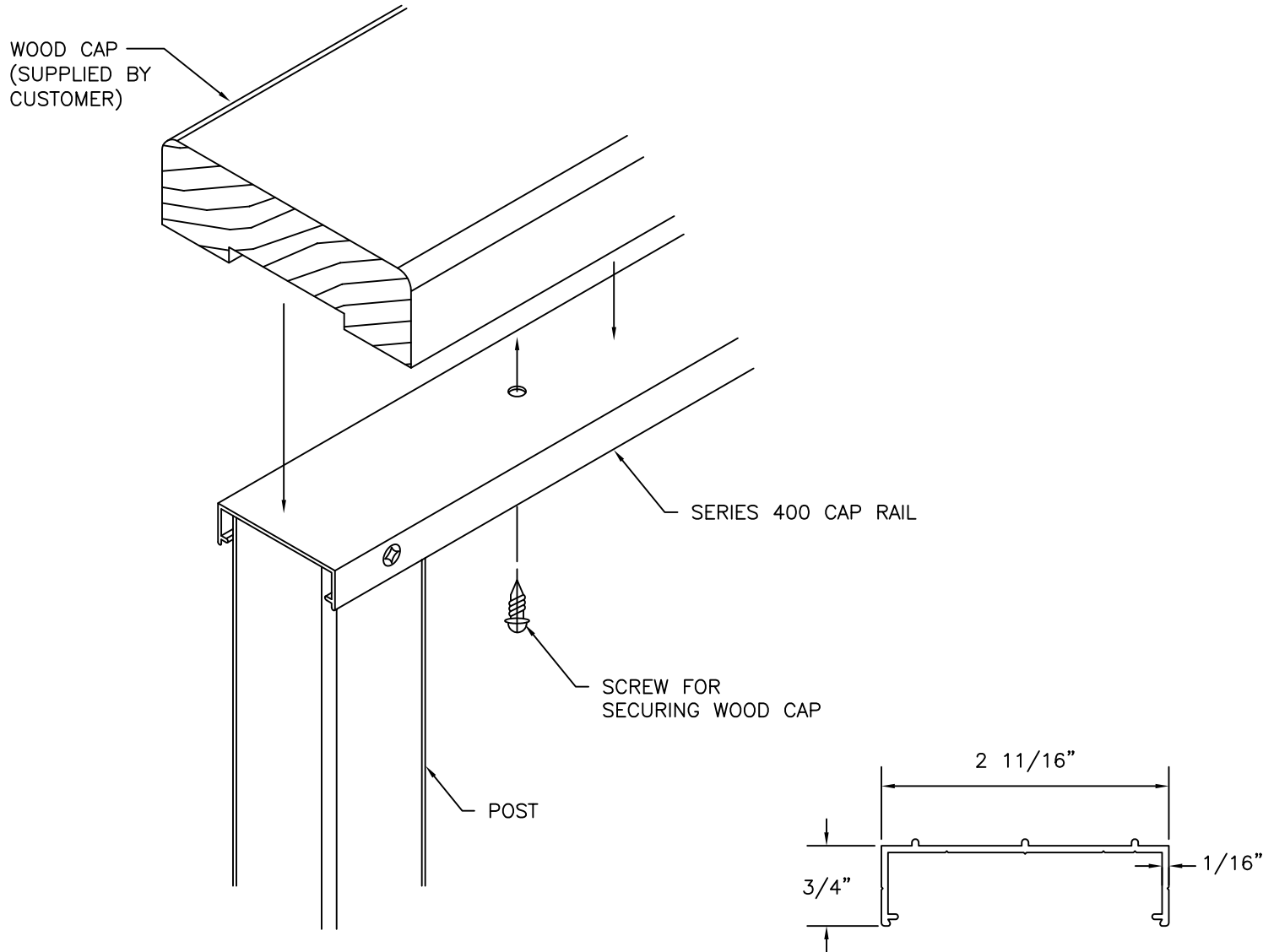


CAP RAIL: SERIES 400 LOW PROFILE  
(FOR SUPPORTING CUSTOMER SUPPLIED WOOD CAP RAIL)

DWG # CAP 400 REV 1  
DATE 11/07



**feeneyarchitectural**  
PRODUCTS

DesignRail™—Railing Systems  
2603 Union Street  
Oakland, CA 94607-2423  
Ph: 800-888-2418 or 510-893-9473  
Fx: 510-893-9484, [www.designrail.com](http://www.designrail.com)